

BROKK 90 ROBOTIC BREAKER / CRUNCHER



BROKK 90 ROBOTIC BREAKER/CRUNCHER

Our Brokk 90 is just one of our range of Brokk robotic demolition machines.

Brokks 330, 250, 180, 150 are also available on request.



Special Features:

Various attachments
Access via standard doorway
Remotely operated

Work in a confined space
Access via standard lifts
Fume free

Technical Data

Measurements	7,5kW	11kW
Transport length, excl attachment	1648 mm 64,9 in	1821 mm 71,6 in
Transport high, lowest	1210 mm 47,6 in	1210 mm 47,6 in
Transport width, min.	780 mm 30,7 in	780 mm 30,7 in
Working width	1586 mm 62,4 in	1586 mm 62,4 in
Ground clearance	150 mm 5,9 in	150 mm 5,9 in
Track width	200 mm 7,9 in	200 mm 7,9 in
Working radius	3,6 m 142 in	3,6 m 142 in

(Depending on tool)

Weight

Weight complete, excl attachment	830 kg 1830 lb	930 kg 2050 lb
Ground pressure, tracks, excl attachment	0,024 MPa 3,5 lbf/in ²	0,028 MPa 4,1 lbf/in ²
Weight, hammer, max	75 kg 165 lb	120 kg 265 lb

Performance

Slewing speed	8 sec/245°	8 sec/245°
Max. transport speed	2,3 km/h 1,4 mile/h	2,3 km/h 1,4 mile/h

Hydraulic system

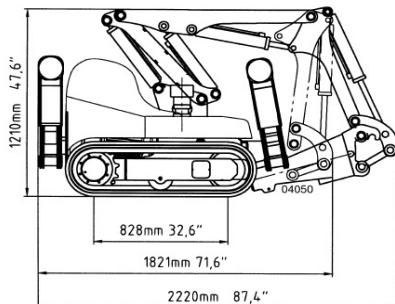
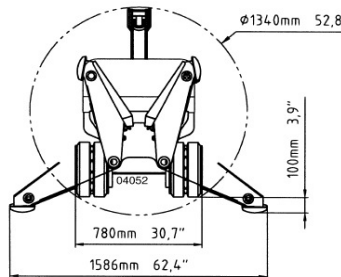
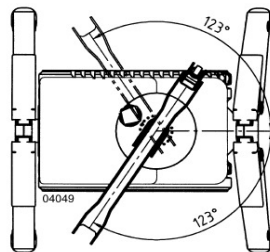
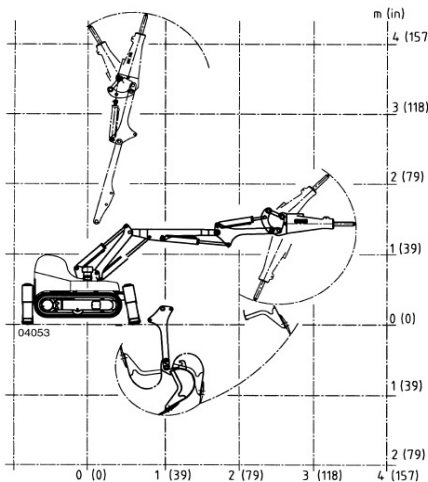
Type of pump	Gear pump with fixed displacement	
Pressure	16 MPa 2320 psi	
Flow	7,5 kW	28 l/min 7,4 US gal/min
	11 kW	40 l/min 10,6 US gal/min

Electric motor

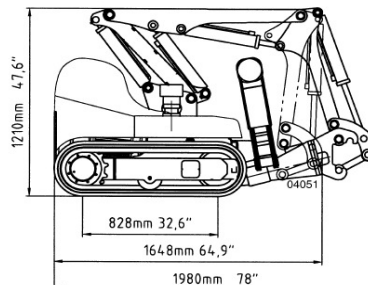
Output	7,5kW or 11 kW
Voltage/Frequency	Specify with order
Starting device	Smooth start

Control system

Control unit	Remote control box
Signal code	Digital
Control mode	Cable/Radio



11 kW



7,5 kW

